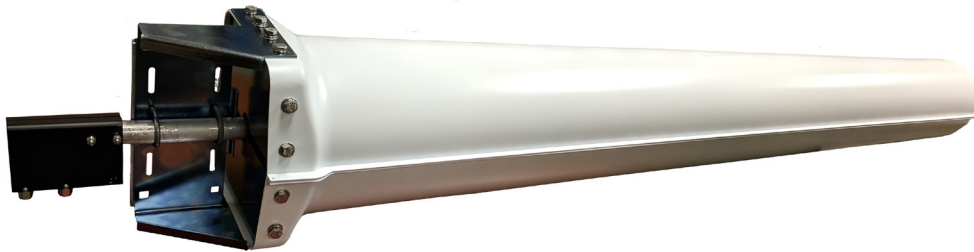


MIMO DUAL POLARIZED YAGI ANTENNA WITH RADOME - 15dBi

700MHz Antenna Spec Sheet



The 700MHz Dual Polarized MiMO Yagi Antenna with Radome is a high gain, premium quality antenna with excellent port to port isolation. Manufactured using high strength 6061-T6 aluminum and anodized for aesthetic and corrosion resistance.

Key Features

- Dual linearly polarized
- Temperature range to -40°C to $+85^{\circ}\text{C}$
- Return loss $> 15\text{dB}$
- Port to port isolation $> 15\text{dB}$
- VSWR: $\leq 1.43:1$
- High gain: 15dBi
- Robust radome for icy and snow conditions

Benefits

- Seriously Smart
- Scalable
- Very Economical
- Highly Efficient
- Compatible
- Robust
- Exclusive to User
- Future Defensive
- Environmentally Sound

700MHz MIMO DUAL POLARIZED YAGI ANTENNA WITH RADOME - 15dBi SPECIFICATIONS

Electrical Specifications

Frequency Range	757-788 MHz
Polarization	Horizontal and Vertical
Peak Gain	15 dBi
VSWR	≤ 1.43:1
Return Loss	> 15 dB
Port to Port Isolation	> 15 dB
F/B Ratio	> 15 dB
E-Plane 3dB Beamwidth	30°
H-Plane 3dB Beamwidth	35°
Average Power	200 W
Nominal Impedance	50 ohms

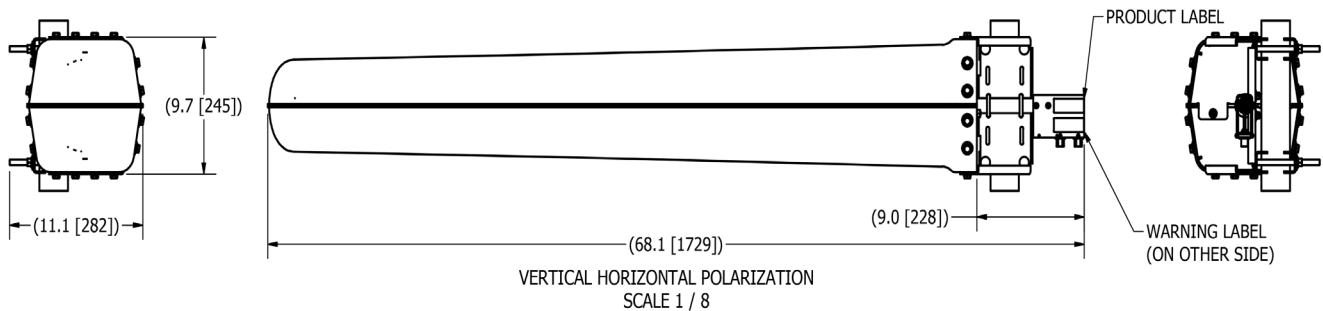
Mechanical Specifications

Connector	2 x Type N-Female
Dimensions (see drawing)	68.1" x 9.7" x 11.1" (with Radome) (1729mm x 245 mm x 282 mm)
Weight	21.9 lbs (9.95kg) including mount clamps
Operating Temperature	-40°C to +85°C
Mounting	Uses an BWC1001A mount
Elements	14 (per polarization)
Wind Rating	97 mph (156 kph)
Wind Rating (with 1/2" ice)	90 mph (145 kph)
Wind Loading	99.66 lbf (443.31 N) @ 97 mph (156 kph)
Wind Loading (with 1/2" ice)	98.07 lbf (436.22 N) @ 90 mph (145 kph)

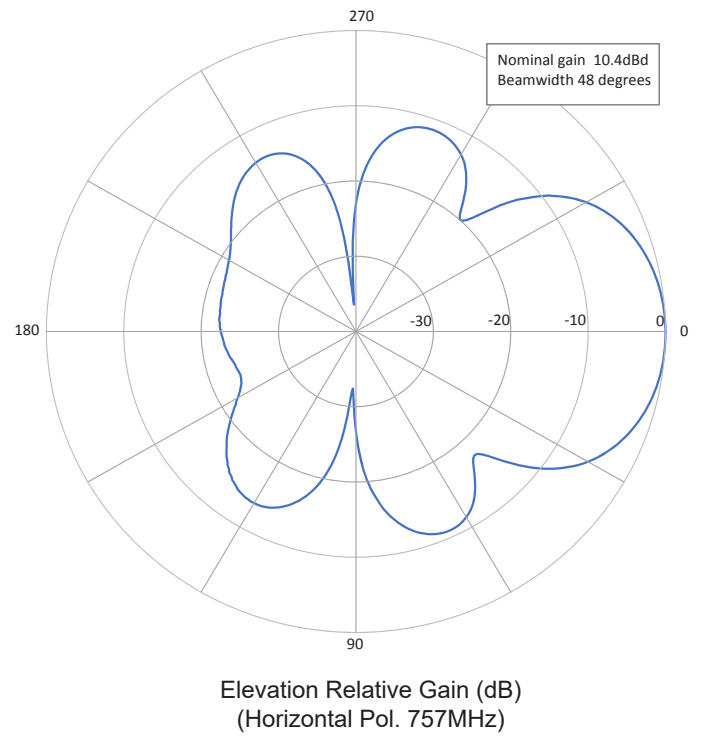
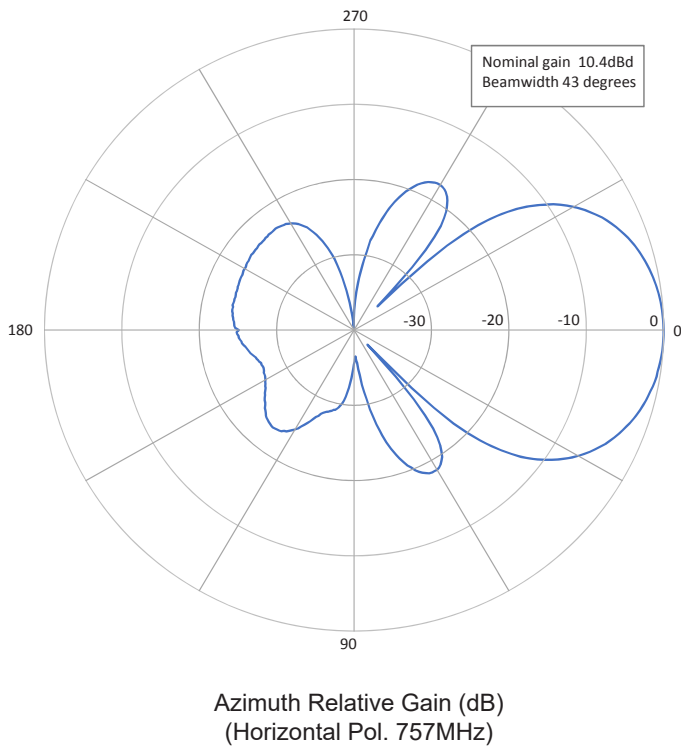
Product Orders

Product Code	Description
ANT-757-788-015-YD01	700MHz MiMO Yagi, 757-788MHz, 15dBi, 2 x Type N-Female, with Radome

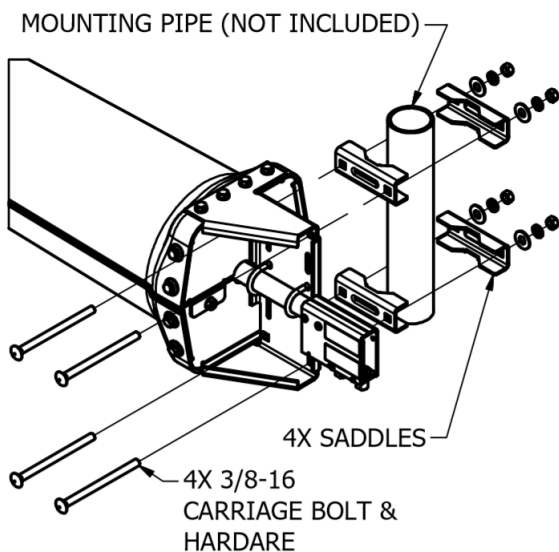
Important: Specifications are subject to change without prior notice



700MHz MIMO DUAL POLARIZED YAGI ANTENNA WITH RADOME - 15dBi RADIATION PATTERNS



700MHz MIMO DUAL POLARIZED YAGI ANTENNA WITH RADOME - 15dBi MOUNTING DETAILS



Important:

- Saddles, Carriage Bolt & Hardware kits are included with the purchase
- Make sure that the drainage hole on the radome is facing down
- Mounting Pipe are not included with the purchase