

## OMNI-DIRECTIONAL GROUND PLANE ANTENNA - 4dBi

700MHz Antenna Spec Sheet

---



The Mimomax Omni-Directional Ground Plane Antenna transmits omni directional (360 degrees).

Other features include:

- Vertically Polarized
- Wideband

It also covers 2G bands and has an optional mount available for wall or pole.

Optional shield accessories are available.

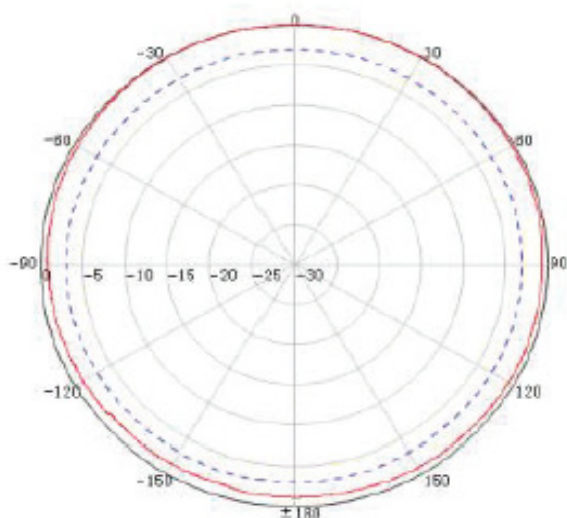
# 700MHz OMNI-DIRECTIONAL GROUND PLANE - 4dBi ANTENNA SPECIFICATIONS

Electrical Specifications		
Frequency Range	698-960 MHz	1710-2700MHz
Gain	2dBi	4dBi
VSWR	<1.7	<1.6
Polarisation	Vertical	
Horizontal Beamwidth	360 °	
Vertical Beamwidth	60 °	
Input Impedance	50 Ω	
Max Power	100 W	

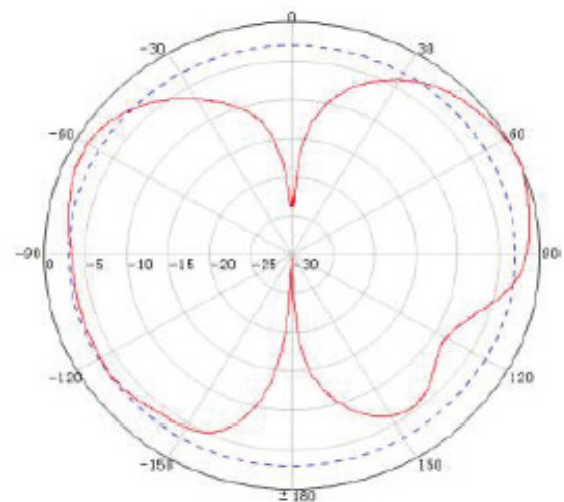
Mechanical Specifications	
Connector	N-Female
Dimensions	8.1x2.7 inches $\varnothing$ (205x68 mm $\varnothing$ )
Packing Size	10.2x3.9x3.9 inches (260x100x100 mm)
Weight	1.55 lbs (0.7 kg)
Element Material	Aluminum (Aluminium)
Radome Material	UV-PVC
Rated Wind Velocity	130.5 mph (210 km/h)
Operating Temperature	-40 °F to 149 °F (-40 °C to +65 °C)
Mounting Pole	$\varnothing$ 1.5" - $\varnothing$ 2" ( $\varnothing$ 38 mm - $\varnothing$ 52 mm)

Product Orders	
Product Code	Description
ANT-698-2K7-004-OS0G	700MHz Co-Linear, 698-2K7MHz, Ground Plane, 4dBi, 1 x N-Female

**Important:** Specifications are subject to change without prior notice



H Plane



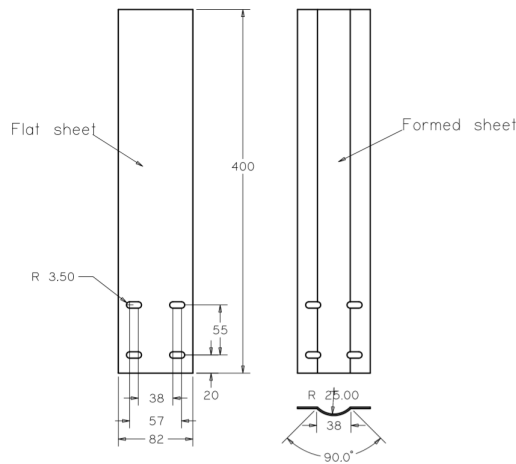
V Plane

# 700MHz OMNI-DIRECTIONAL GROUND PLANE - 4dBi ACCESSORIES: SHIELD SET

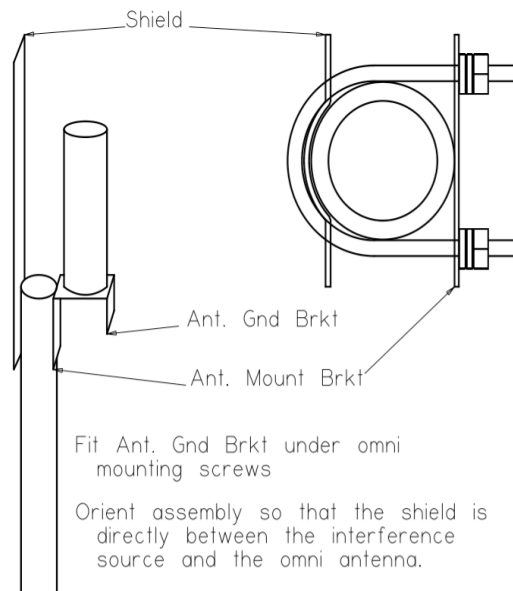
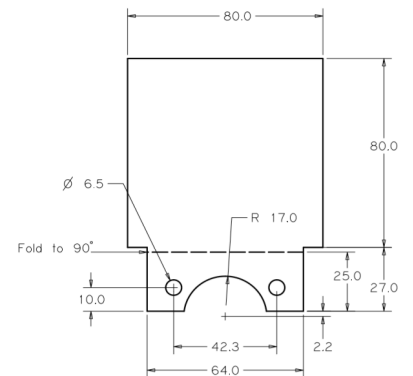
*\*Accessories sold separately*



Antenna Shield



Antenna Bracket



## Mechanical Specifications

Material	1.6mm Aluminum (Aluminium)
Finish	Debur, degrease and Passivate
Dimension (Shield)	400 x 82 mm
Dimension (Bracket)	107 x 80 mm

## Product Orders

Product Code	Description
ACC-698-2K7-004OS01	700MHz 4dBi Omni Antenna Shield Set

**Important:** Specifications are subject to change without prior notice